

## BOECO CENTRIFUGE S-8

Practical and handy the S-8 is the ideal centrifuge for small sample volumens. It is supplied with a 8-place angle steel rotor, which accomodates various tube systems as well as 15 ml glass tubes without adapters.

The centrifuge is microprocessor controlled

### Controls and displays

- ▶ During centrifugation the actual values of the parameters are indicated
- ▶ Entry of the running parameters via foil keypad
- ▶ Speed display in RPM x 100, input in steps of 100
- ▶ Time t/min: 1 - 99 min, continuous operation
- ▶ Speed display in RPM x 100, input in steps of 100
- ▶ Impulse key: For short centrifugation operations
- ▶ Open lid key

### Safety

- ▶ Lid locking and holding device
- ▶ Emergency lid lock release
- ▶ Motor overheating protection
- ▶ Double-walled plastic housing is mounted on a solid metal chassis. The transparent lid is made of Polycarbonate Resins

The S-8 conforms to safety regulations such as IEC 1010-2-2, or the CE mark and all relevant EC standards and DIN norms and has been manufactured under ISO 9001:2000











### Technical details

Max RPM (speed) / RCF: 6000 rpm / 3.421 RCF  
 Noise Level:  $\leq 54$  dB(A) (dependent on rotor)  
 Dimensions in mm (HxWxD): 216 x 231 x 292  
 Net weight: approx 4 kg  
 Radio interference: EN 55011 ISM class B  
 Immunity: EN 61000-6-1

Code	Description
BOE 02002-13	BOECO centrifuge S-8, 208-240V, 50/60 Hz, complete with 8-place angle rotor
BOE 02002-12	BOECO centrifuge S-8, 100-127V, 50/60 Hz, complete with 8-place angle rotor

### Reducing part

Code	Description
BOE 01054-A	For max. 5 ml tubes (12 x 75 mm)
BOE 01058	For max. 7 ml tubes (13 x 100 mm)

capacity in ml	4	5	7	15	15	blood collection / urine tubes				
dimensions $\varnothing$ x L mm	10 x 88	12/13 x 75	13 x 100	17 x 100	17 x 120	max 17 x 100				
 n=6,000 min <sup>-1</sup> Rotor included										
Cat.-No.	06305	01054-A	01058	-	-	-				
tubes per rotor	8	8	8	4	-	8				
RCF	2,817	2,697	3,461	3,461	-	3,461				
radius in mm	70	67	86	86	-	99				
run-up in sec	26									
run-down in sec	37 121									



BOECO CENTRIFUGE S-8

## BOECO CENTRIFUGE M-24 A

Powerful, space-saving, low-noise, reliable and microprocessor-controlled microlitre centrifuge with brushless frequency drive.

### Controls and displays

- ▶ During centrifugation the actual values of the parameters are indicated
- ▶ Entry of the running parameters via foil keypad
- ▶ Speed display in RPM x 100
- ▶ Time t/ min: 1 - 99 min, continuous operation
- ▶ Impulse key: For short centrifugation operations
- ▶ Open lid key

### Safety

- ▶ Lid locking and holding device
- ▶ Emergency lid lock release
- ▶ Motor overheating protection
- ▶ See-through glass in the lid
- ▶ Imbalance switch-off
- ▶ Double-walled plastic housing and lid are mounted on a solid metal chassis.

The M-24 A conforms to safety regulations such as IEC 61010 or the CE mark and all relevant EC standards and DIN norms and has been manufactured under ISO 9001:2000

### Technical details

Max. RPM (speed) / RCF: 14.000 rpm / 17.530 RCF  
 Noise level: ≤ 59 dB(A) (dependent on rotor)  
 Radio interference: EN 55011 ISM class B  
 Immunity: EN 61000-6-1  
 Dimensions in mm: 199 (H) x 231 (W) x 292 (D)  
 Net weight: approx 6 kg






### Code Description

BOE 01204-13	BOECO centrifuge M-24 A, 230V, 50/60 Hz, without rotor
BOE 01204-12	BOECO centrifuge M-24 A, 120V, 50/60 Hz, without rotor



BOECO CENTRIFUGE M-24 A

45°				
 <p>Angle rotor, Cat. No. 01212 12-place, n = 14,000 min<sup>-1</sup>, max RCF 15,558</p>				
capacity in ml	1.5	0.5/0.8	0,2 /0.4	2.0
dimensions Ø x L mm	11x38	8x30/45	6x18/45	11x38
 n = 14,000 min <sup>-1</sup> Cat.-No. 01212	 with high speeds we recommend to use adapter No. 02031			
	Cat.-No.	–	02023	02024
tubes per rotor	12			
RCF	15,558			
radius in mm	71			
run-up in sec	20			
run-down in sec	☐ 25 ☐ 243			

45°				
 <p>Angle rotor, Cat. No. 01218 18-place, n = 14,000 min<sup>-1</sup>, max RCF 15,996</p>				
capacity in ml	1.5	0.5/0.8	0,2 /0.4	2.0
dimensions Ø x L mm	11x38	8x30/45	6x18/45	11x38
 n = 14,000 min <sup>-1</sup> Cat.-No. 01218	 with high speeds we recommend to use adapter No. 02031			
	Cat.-No.	–	02023	02024
tubes per rotor	18			
RCF	15,996			
radius in mm	73			
run-up in sec	20			
run-down in sec	☐ 25 ☐ 360			

40°/52,5°				
 <p>Angle rotor, Cat. No. 01224 24-place, 2-row n = 14,000 min<sup>-1</sup>, max RCF 17,530</p>				
capacity in ml	1.5	0.5/0.8	0,2 /0.4	2.0
dimensions Ø x L mm	11x38	8x30/45	6x18/45	11x38
 n = 14,000 min <sup>-1</sup> Cat.-No. 01224	 with high speeds we recommend to use adapter No. 02031			
	Cat.-No.	–	02023	02024
tubes per rotor	24			
RCF	17,530			
radius in mm	80			
run-up in sec	24			
run-down in sec	☐ 25 ☐ 394			

## BOECO CENTRIFUGES M-240 / M-240R

The M-240 and M-240R rank among the fastest centrifuges in their class – with a maximum speed of 15,000 rpm and an RCF of 21,382.

Not only are they fast, the M-240R also refrigerates quickly: to +4°C with the Fast Cool function in 10 to 15 minutes.

Even thermosensitive samples can be gently centrifuged thanks to highly reliable refrigeration. Best separation results are guaranteed with the smooth-running, high-performance motor featuring a maintenance-free frequency drive. With the optional autoclavable and aerosol-tight accessories, even infectious materials can be processed safely for both the user and the environment.

### User-Friendliness

- ▶ Automatic lid locking
- ▶ Quick-entry foil keypad
- ▶ Easy-to-read, digital display
- ▶ Display of current parameter values
- ▶ Select key for parameter selection
- ▶ Impulse key for short centrifuging
- ▶ Open lid key
- ▶ RCF key
- ▶ Twist knob to enter values
- ▶ RPM in increments of 10
- ▶ Running time in minutes, max. 99 min
- ▶ Temperature in increments of 1°C (M-240R)
- ▶ 4 programmable memories

### Refrigeration (M-240R)

- ▶ Infinitely variable setting from –10 °C to +40 °C
- ▶ Fast Cool function in 10 - 15 min to +4 °C
- ▶ Stand-by mode maintains the set temperature
- ▶ Automatic refrigeration switch-off when the lid is opened

### Safety

- ▶ Lid dropping protection
- ▶ Lid locking and holding
- ▶ Emergency lid lock release
- ▶ Motor overheating protection
- ▶ Chamber overheating protection
- ▶ Imbalance switch-off
- ▶ Standstill indication

with the refrigerated model M-240R the LED in the Open key lights up  
with the M-240 the lid opens automatically after the rotor has come to a standstill

The M-240 / M-240R conform to safety regulations such as IEC 1010-2-2, all relevant EC standards and DIN norms and have been manufactured under ISO 9001:2000

### Technical details

	M-240	M-240R
Max. RPM (speed) / RCF:	15000 RPM / 21.382 RCF	
Noise Level: (dependent on rotor)	≤ 59 dB (A)	≤ 52 dB(A)
Dimensions in mm (HxWxD):	260 x 275 x 344	260 x 281 x 547
Net weight:	approx 11,5 kg	28 kg
Radio interference:		EN 55011 ISM class B
Immunity:		EN 61000-6-2

Code	Description
BOE 02400-13	BOECO centrifuge M-240, 200-240 V, 50-60 Hz, without rotor
BOE 02400-12	BOECO centrifuge M-240, 100-127 V, 50-60 Hz, without rotor
BOE 02405-13	BOECO refrigerated centrifuge M-240R, 200-240 V, 50-60 Hz, without rotor
BOE 02405-12	BOECO refrigerated centrifuge M-240R, 100-127 V, 50-60 Hz, without rotor



BOECO CENTRIFUGE M-240










BOECO CENTRIFUGE M-240R

# Rotors for M-240 and M-240 R

50°







Angle rotor,  
Cat. No. 02424  
24-place,  
n = 15,000 min<sup>-1</sup>,  
max RCF 21.382

capacity in ml	1.5	0.5/0.8	0,2 /0,4	2.0
dimensions Ø x L mm	11x38	8x30/45	6x18/45	11x38
				
n = 15,000 min <sup>-1</sup> Cat.-No. 02424	with high speeds we recommend to use adapter No. 02031			
Cat.-No.	-	02023	02024	-
tubes per rotor	24			
RCF	21.382			
radius in mm	85			
run-up in sec	20			
run-down in sec	 28  505			
temperature °C <sup>1)</sup>	+4			

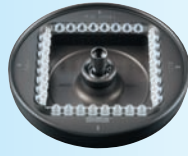
45°







Angle rotor,  
Cat. No. 02430  
30-place,  
n = 15,000 min<sup>-1</sup>  
max RCF 20.376

capacity in ml	0,5
dimensions Ø x L mm	8 x 30
	
n = 15,000 min <sup>-1</sup> Cat.-No. 02430	
Cat.-No.	-
tubes per rotor	30
RCF	20.376
radius in mm	81
run-up in sec	19
run-down in sec	 13  398
temperature °C <sup>1)</sup>	+4

45°



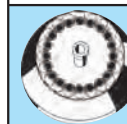


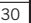
Angle rotor, for  
PCR tubes and  
strips  
Cat. No. 02418  
32-place, 4x 8  
n = 15,000 min<sup>-1</sup>  
max RCF 14.338

capacity in ml	0,2
dimensions Ø x L mm	6 x 18 PCR strips
	
n = 15,000 min <sup>-1</sup> Cat.-No. 02418	
Cat.-No.	-
tubes per rotor	32 4 x 8
RCF	14.338
radius in mm	57
run-up in sec	19
run-down in sec	 28  330
temperature °C <sup>1)</sup>	+4

40°










Angle rotor,  
illustrated with  
optional lid 0E2040  
for cryo tubes  
Cat. No. 02426  
20-place  
n = 15,000 min<sup>-1</sup>  
max RCF 21.130

capacity in ml	1,8
dimensions Ø x L mm	cryo tubes
	
n = 15,000 min <sup>-1</sup> Cat.-No. 02426	
Cat.-No.	-
tubes per rotor	20
RCF	21.130
radius in mm	84
run-up in sec	19
run-down in sec	 28  330
temperature °C <sup>1)</sup>	+4

52,5° inner /  
40° outer



Angle rotor,  
Cat. No. 02427  
30-place,  
n = 15,000 min<sup>-1</sup>,  
max RCF 20.627

capacity in ml	1.5	0.5/0.8	0,2 /0,4	2.0
dimensions Ø x L mm	11x38	8x30/45	6x18/45	11x38
				
n = 15,000 min <sup>-1</sup> Cat.-No. 02427	with high speeds we recommend to use adapter No. 02031			
Cat.-No.	-	02023	02024	-
tubes per rotor	30			
RCF	20.627			
radius in mm	82			
run-up in sec	22			
run-down in sec	 30  552			
temperature °C <sup>1)</sup>	+4			

Optional for rotor 02424, 02430 and 02426



Lid (Cat. No. 02425  
with bio-containment  
autoclavable



Lid (Cat. No. 02423  
with bio-containment  
autoclavable,  
phenol-resistant